

**GROVE**

LAENDERPAKET USA/KANADA/MEXICO  
 LAND PACKAGE USA/CANADA/MEXICO

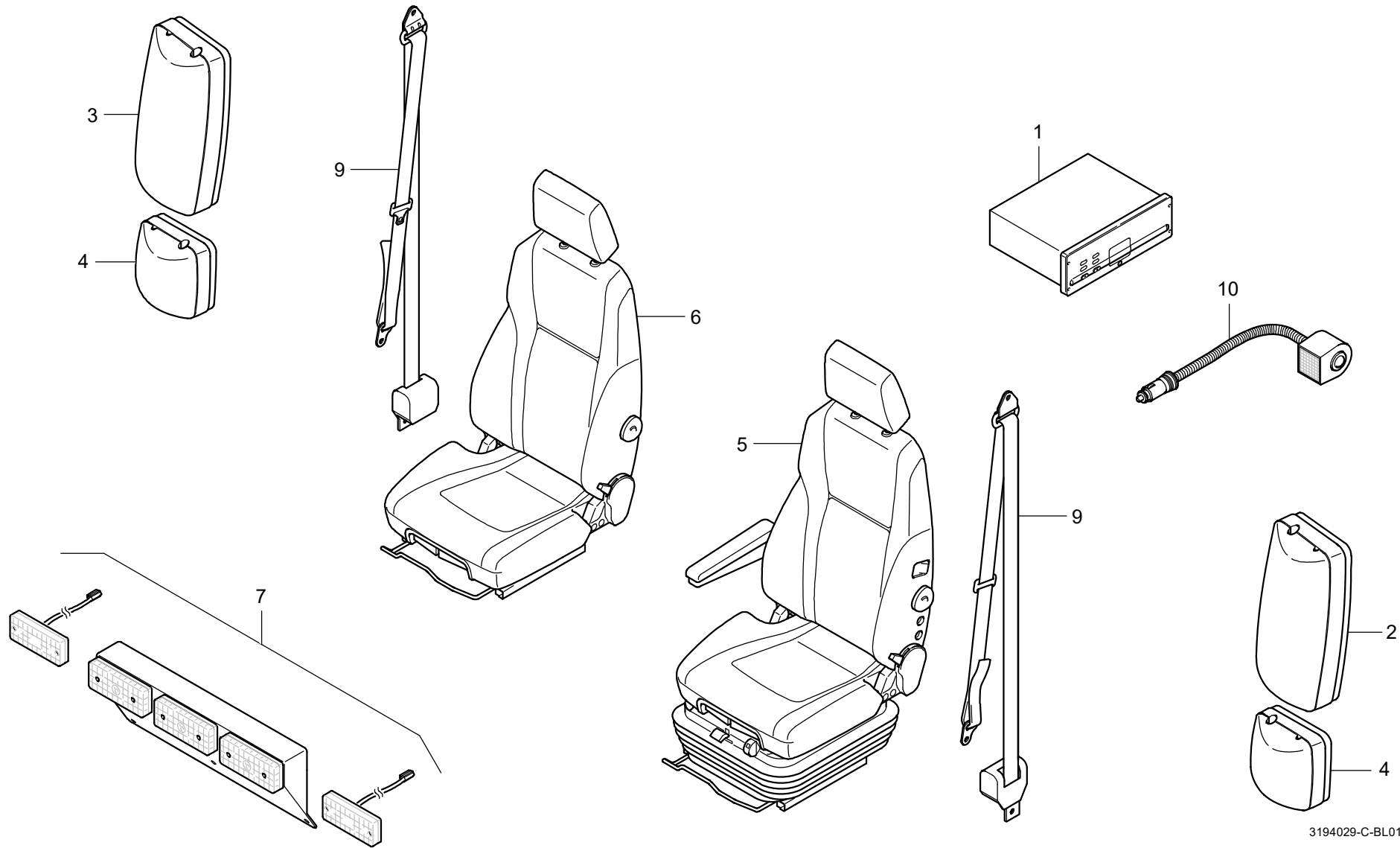
BILDТАFЕL  
 PICTORIAL DISPLAY

**GMK 6300**  
**BE 550**  
**G 000**

09.13

**3194029-ETL C**

1/1



3194029-C-BL01-0913-0000